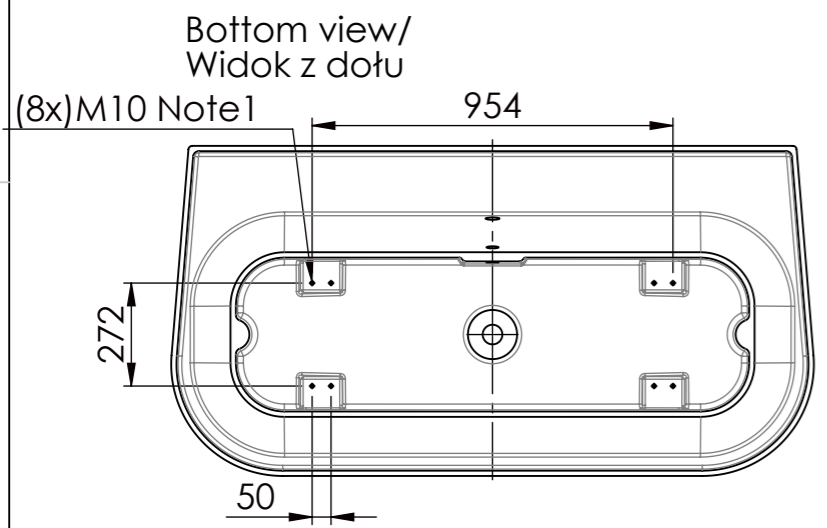
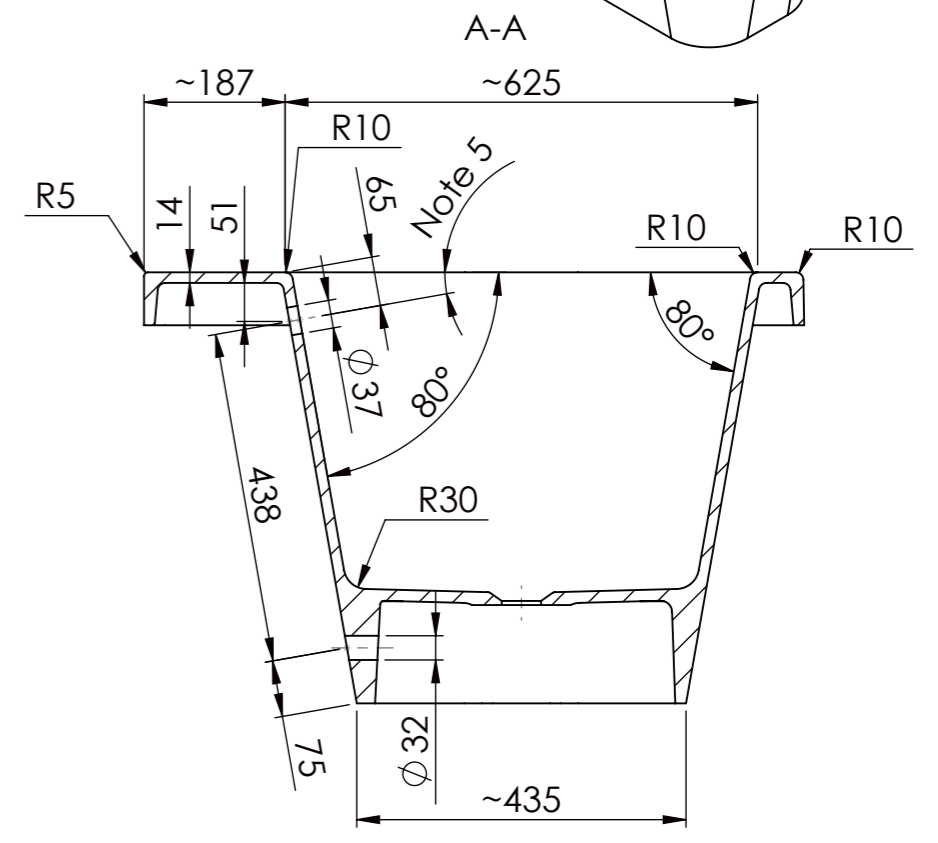
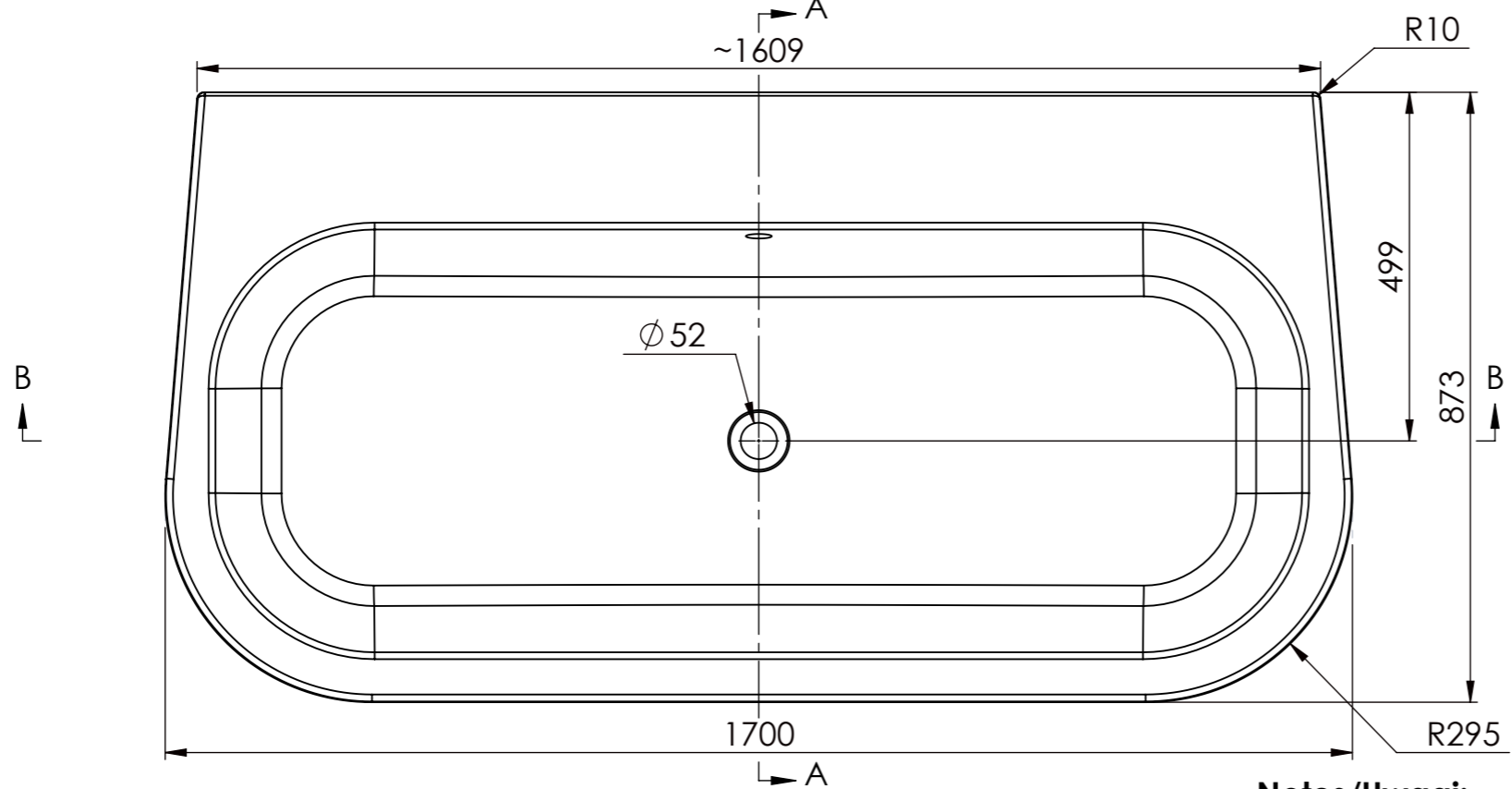
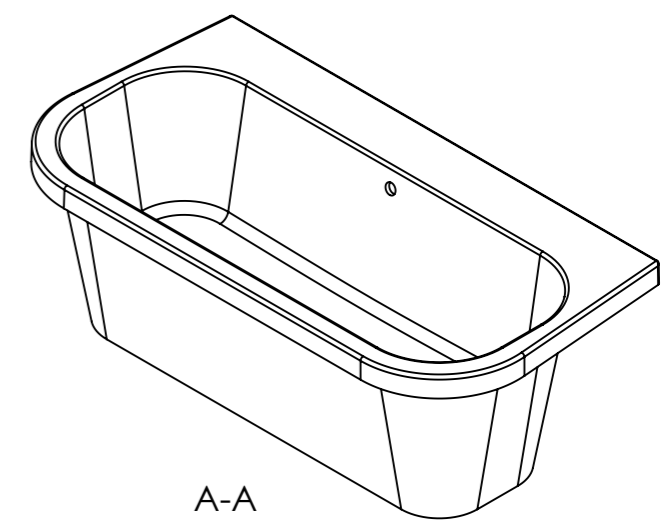
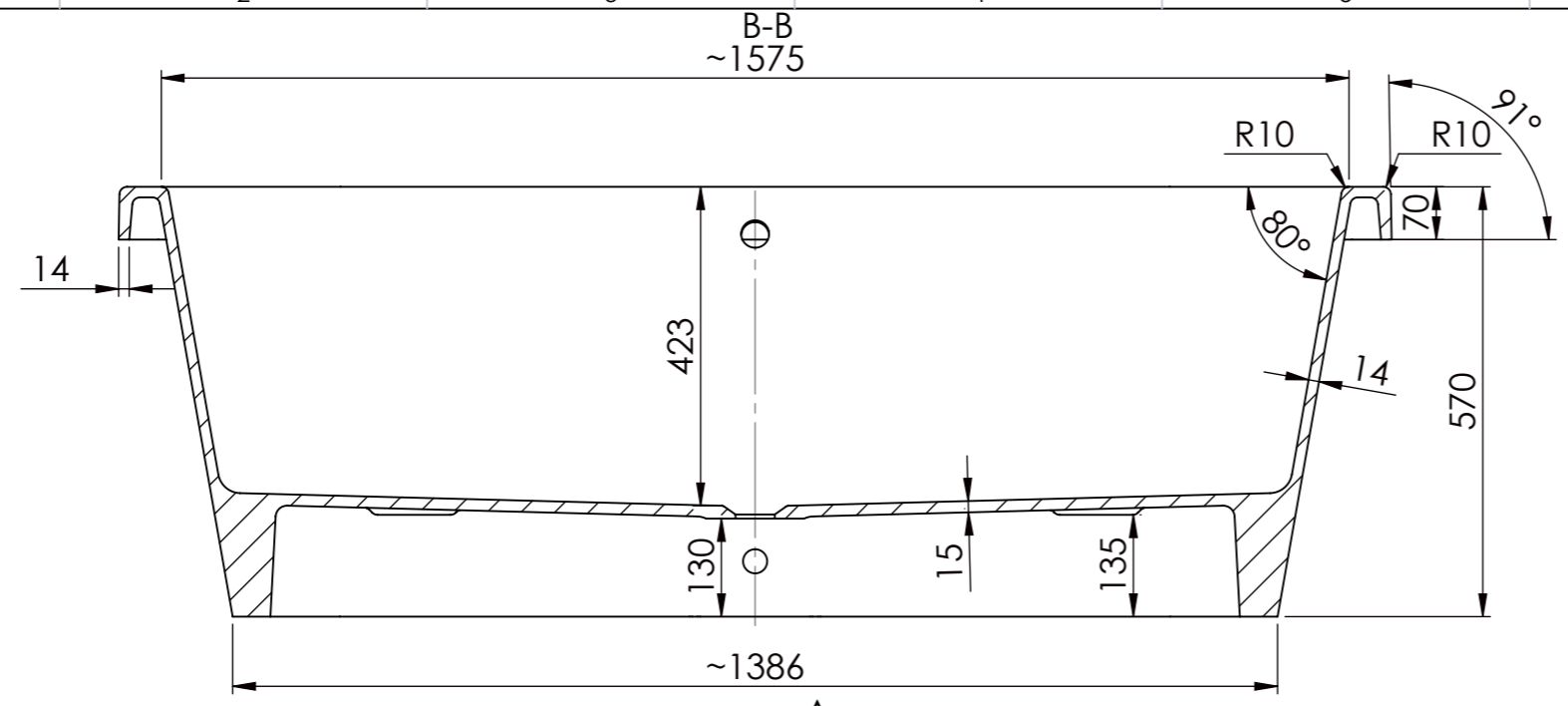


Rev	Design Change Note	Author	Date
001	First issue	KN	2014-09-15
002	Dimension added	ZP	2014-12-02



- Notes/Uwagi:**
- M10 steel bearings/M10 kołki stalowe
 - Water volume (full bathtub) 310 l / objętość wody (pełna wanna) 310 l
 - Water volume (to overflow) 250 l / objętość wody (do przelewu) 250 l
 - Model 3D based on idea from Designer - Salvo Bonura / Model 3D oparty to pomysł od Designera- Salvo Bonura
 - Normal to the wall of bath / prostopadłe do ścianki wanny

Tolerance length/width/height	+10/-10 mm	Drawn by	Created Date	Checked by	Art. Name: VUY ŐŰĚ			
Tol. plane bending	≤800 mm	+1,5/-1,5 mm	2014-02-14	Rafal B	Art. No:			
	>800 mm	+3/-3 mm	Project status		Mould No: F0158171			
Tolerance holes location	+3/-3 mm	Client		Customer ID: STD				
Tolerance holes diameter	+1/-1 mm	ÚŠĚĚ		Material volume [mm³]	Overflow	Taphole	Main dimensions L x W / H [mm]	Drain
Tolerance wall thickness	+1/-1 mm			58977732	Yes	0	1700 x 873 / 570	Regular
Tolerance feet location	+5/-5 mm			Surface area [mm²]	Sheet Size	Scale	Current revision	
				6784562	A3	1:10	002	

This document must not be copied without our written permission, and the contents thereof must not be imparted to a third party nor be used for any unauthorized purpose. Contravention will be prosecuted.